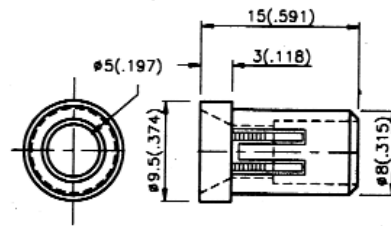
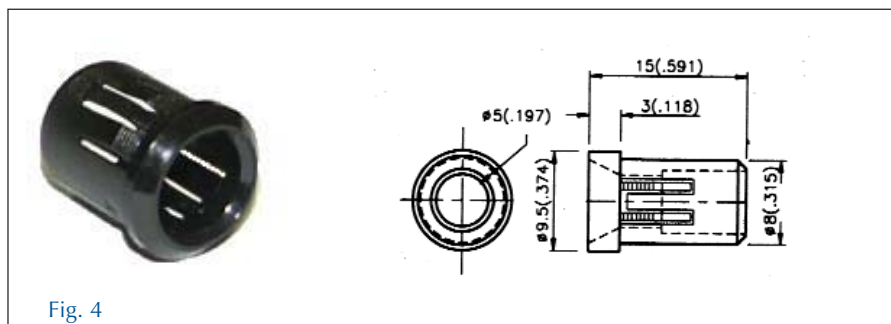
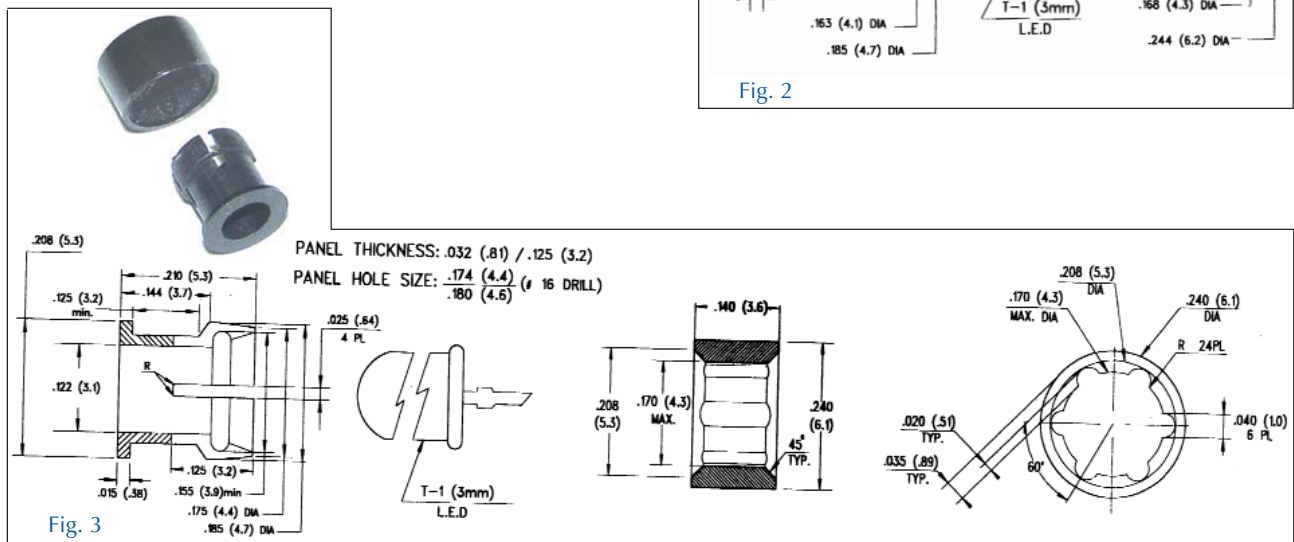
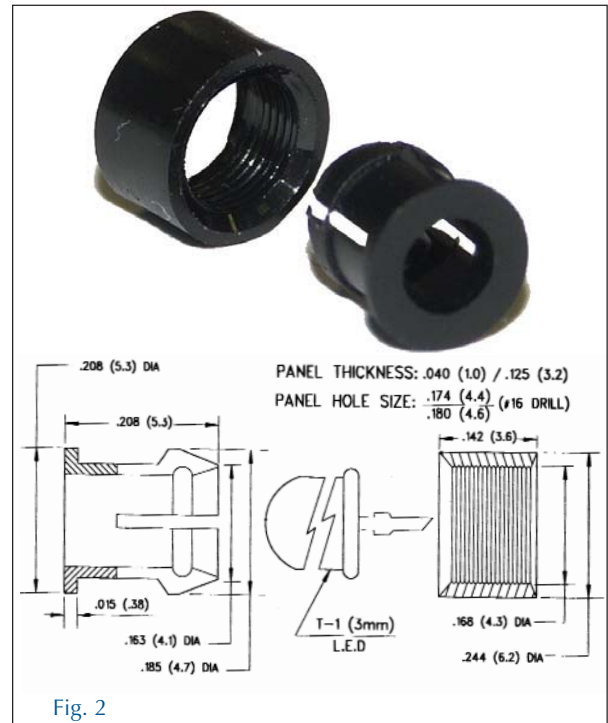
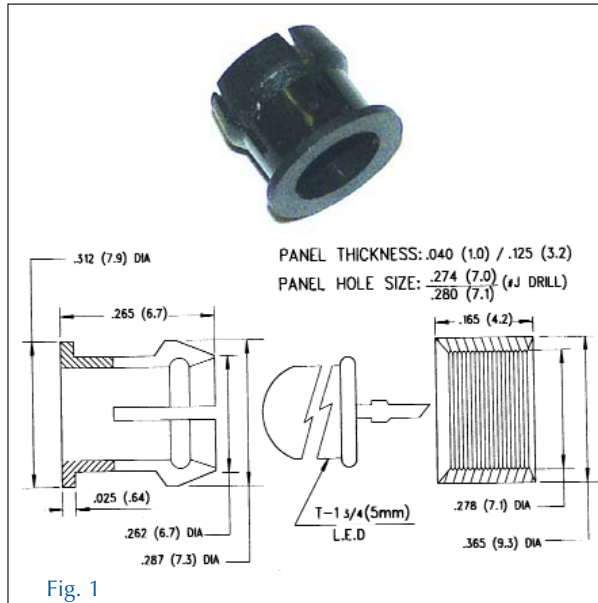


Fig.2



Snap-in Mounting Hardware for Panel Mount LED's

Retail Part No.	Bulk Part No.	Figure No.	Mounting Type	LED/Lamp Size
39-105	39-105-BU	1	Clip and Ring	5mm (T-1-3/4)
39-150	39-150-BU	2	1 Piece Snap-in	5mm (T-1-3/4)
39-205	39-205-BU	3	1 Piece Snap-in	5mm (T-1-3/4)



Snap-in Mounting Hardware for Panel Mount LED's (Cont.)

Retail Part No.	Bulk Part No.	Figure No.	Mounting Type	LED/Lamp Size
39-250		1	Clip and Ring	10mm (T-1-3/4)
39-130	39-130-BU	2	Clip and Ring	3mm (T-1)
39-230	39-230-BU	3	Clip and Ring	3mm (T-1)
39-901	39-901-BU	4	1 Piece Snap-in	3mm (T-1)

LED HOUSINGS (Cont.)



Fig.1

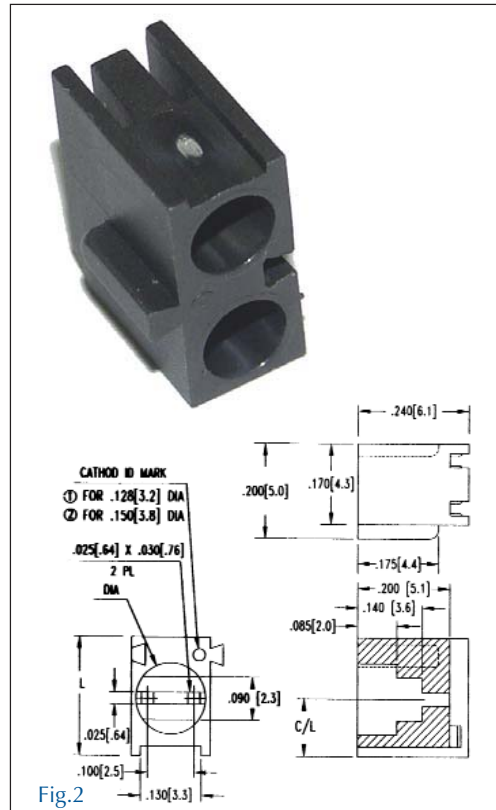


Fig.2

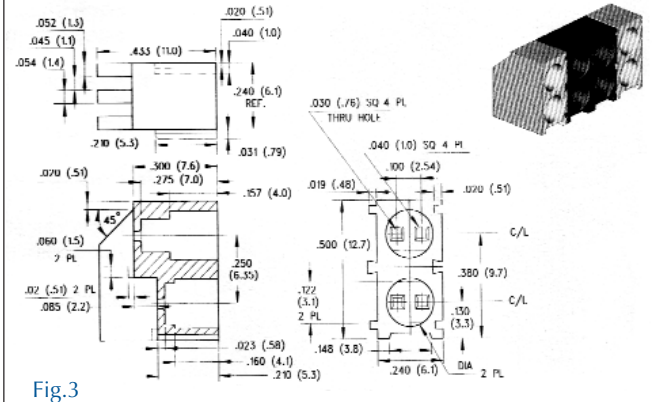



Fig.3



Fig.4

PANEL LAMPS/LED'S

Molded and Stackable LED Holders for 90° Display Mounting

	Retail Part No.	Bulk Part No.	Figure No.	Number of LED's	LED/Lamp Size
	39-132	39-132-BU	1	1	3mm (T-1)
	39-232	39-232-BU	2	2	3mm (T-1)
	39-152	39-152-BU	3	1	5mm (T-1-3/4)
	39-252	39-252-BU	4	2	5mm (T-1-3/4)