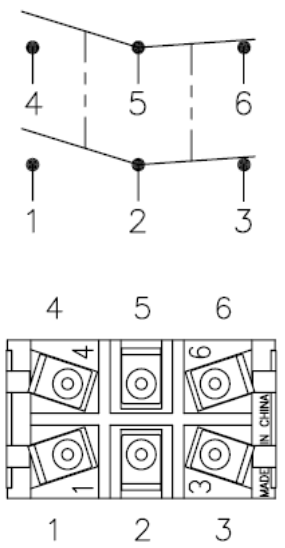
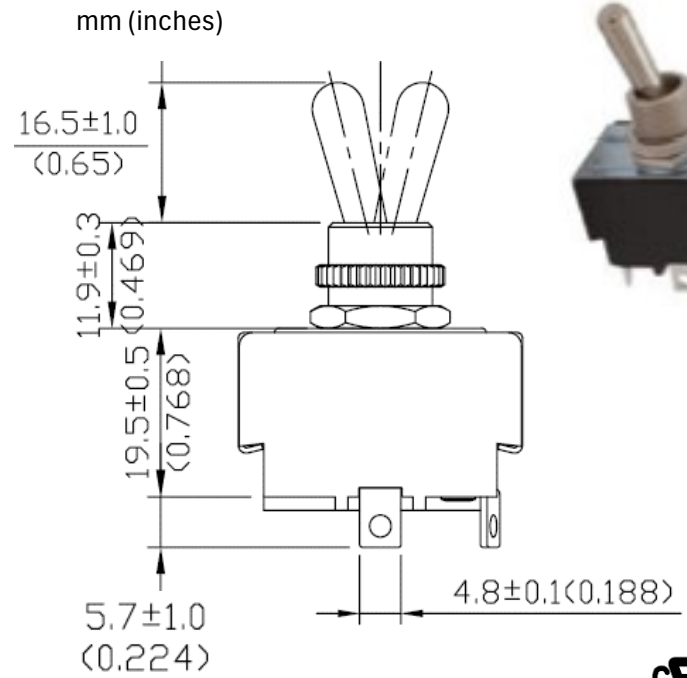
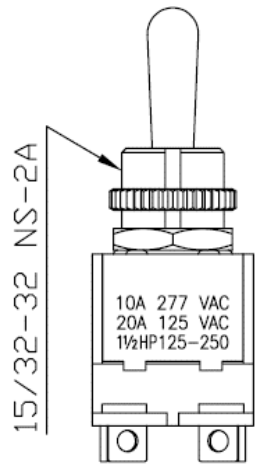
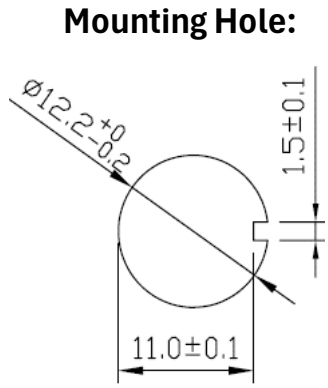


# Toggle Switch On/On DPDT Bat 20A Solder Terminals

**P/N 35-152**



20A\_125 Vac  
 10A\_277 Vac  
 1-1/2 HP\_125-250 Vac  
 Dielectric Strength: 1500 Vac 1 minute  
 Contact Resistance: 50m Ohm max.  
 Insulation Resistance: 500 Vdc 100M Ohm min.  
 O.F. 1200 gm +/- 400 gm  
 (black phenolic plastic case) flammability rating of UL 94 flame class 94V-1

UPC: 010151541567  
 HTS USA: 8536.50.9065  
 CoO: China

KNURL NUT ASSY  
 HEX NUT ASSY

