

IMPEDANCE MATCHING TRANSFORMERS

Telephone Coupling

Telephone Coupling Transformer



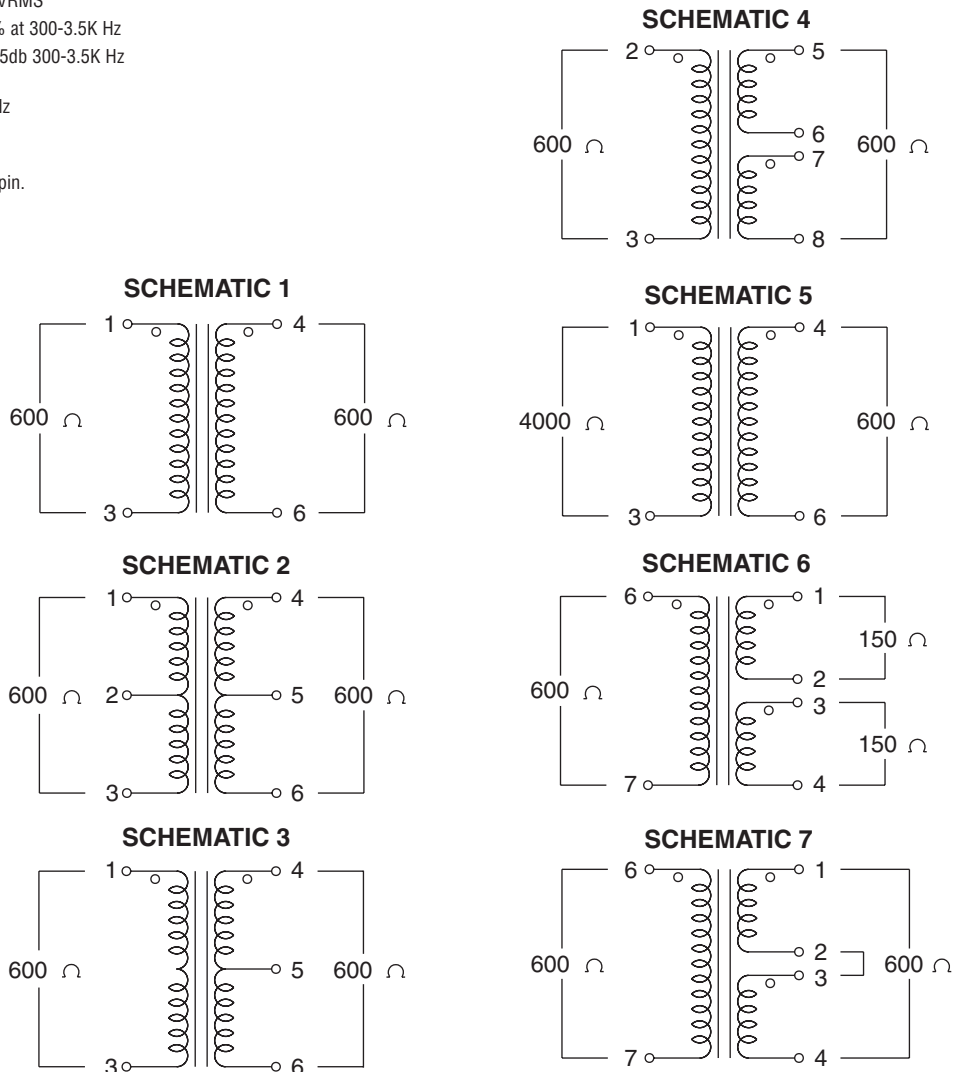
Sec.	STANCOR PART NUMBER	Schematic Number	Style	Impedance		D.C. Curr. mA.	Insertion Losses db Max @1K Hz	Primary DCR	DIMENSIONS-INCHES					Weight (oz.)	Agency Certif.	
				Primary ± 15%	Secondary ± 10%				W	L	H	A*	B**			C
A	TTPC-2	1	B	600	600	0	1.2	46	0.781	0.650	0.490	-	.145	0.530	0.5	-
B	TTPC-6	3	A	600	600 C.T.	90	1.8	71	0.815	0.650	0.750	-	.187	0.421	1.0	-
	TTPC-8	2	A	600 C.T.	600 C.T.	0	1.2	36	0.781	0.650	0.740	-	.187	0.421	0.6	-
C	TTPC-11	5	A	4000	600	0	1.2	225	0.781	0.650	0.740	-	.187	0.421	0.6	-
	TTPC-13	4	C	600	600 C.T. Split	90	1.8	73	0.815	0.750	0.625	.150	.200	0.500	0.5	-
	TTPC-14	6 & 7	D	600	600 C.T. Split	80	1.1	74	1.650	1.370	0.660	.200	.250	1.000	2.5	-

- Maximum Operating Temperature 105°C
- Dielectric Strength 1500 VRMS
- Maximum distortion 0.5% at 300-3.5K Hz
- Frequency Response ± 0.5db 300-3.5K Hz
- Longitudinal Balance:
 - 60db Min @ 200-1K Hz
 - 40db Min @ 4K Hz

* Pin 1 to 2 only.

** Typical dimension pin to pin.

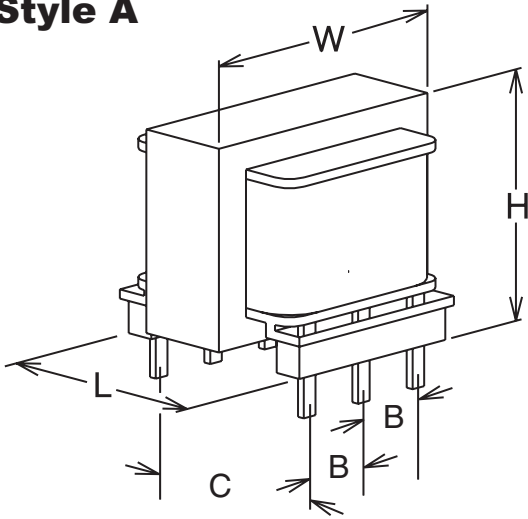
For outline drawings refer to page 20.



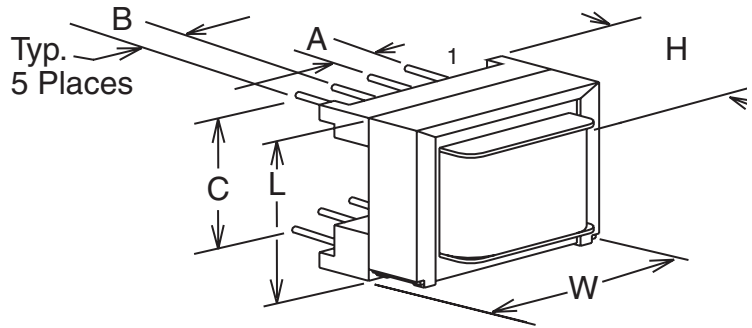
IMPEDANCE MATCHING TRANSFORMERS

Telephone Coupling – TTPC Series

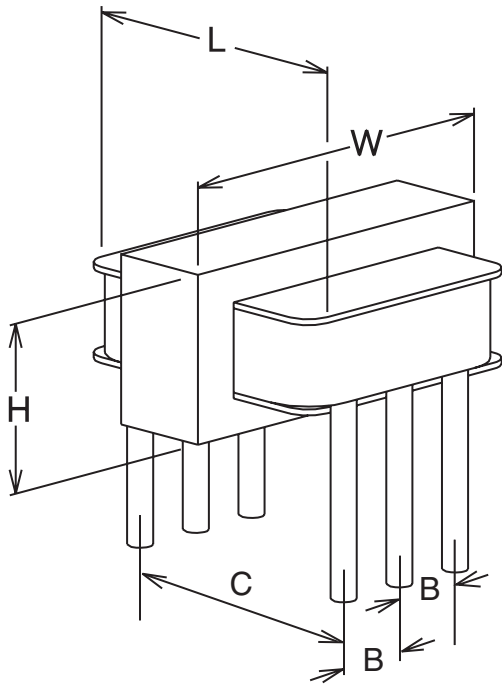
Style A



Style C



Style B



Style D

