

Power Supply Plugs

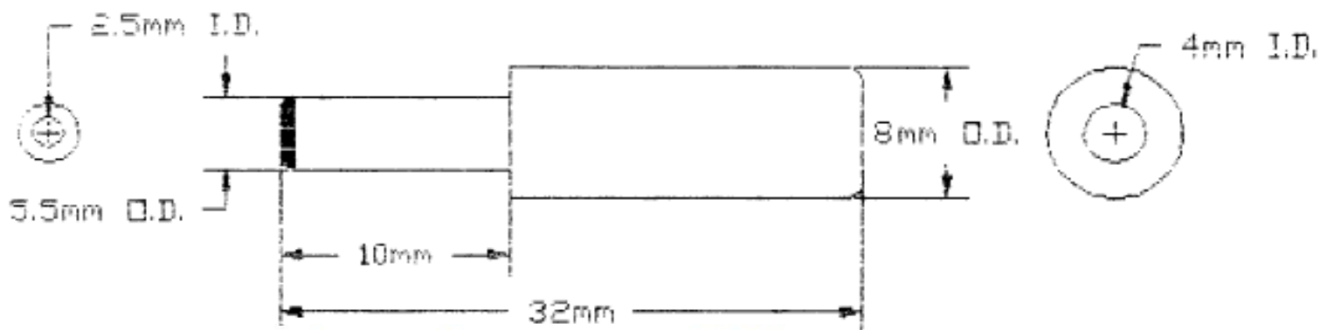
Pkg. of 2

30-475

2.1mm and 2.5mm.

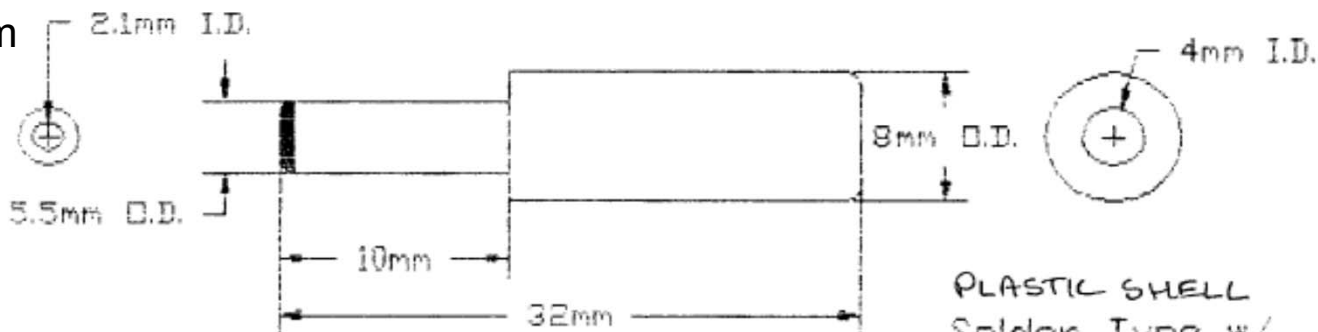


2.5mm



10mm Length approx. 3/8"

2.1mm



PLASTIC SHELL
Solder Type w/
strain relief
Nickel Plated Brass

Fits power supply jacks on recorders, radios, dictating machines, calculators, etc.

UPC: 010151552808

COO: Taiwan

HTS: 8536.69.4050



RoHS: UNKNOWN