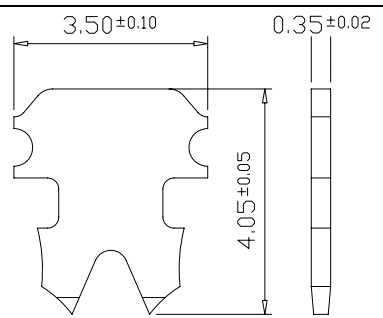
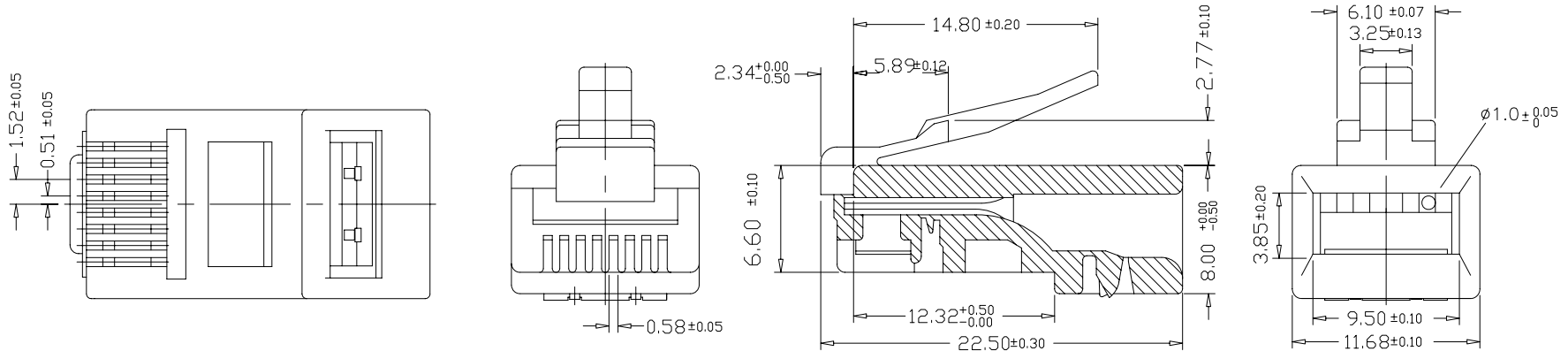


Not Keyed



2 PRONGS FOR STRANDED WIRE

Material

- 1.
2. Housing Material : ( Polycarbonate(PC) UL 94V-2 )
3. Contact Type : 2 prongs for STRANDED wire
4. Gold Plating : 50 microns → 50μ”(≥1.27μm) )

UNIT: m/m

Remark:

1. 24 26 AWG Available for 24 or 26 AWG wire.

<span style="border: 1px solid red; padding: 2px;">30-8959-100</span>			
TITLE	8P8C		
APPROVE		DESIGN	C.M.CHEN
DATE	7-15-2011	F. No.	<span style="border: 1px solid red; padding: 2px;">30-8959</span>