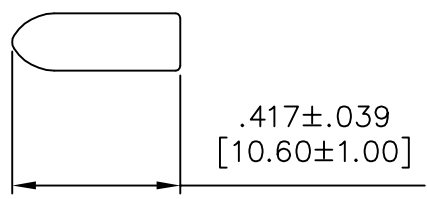
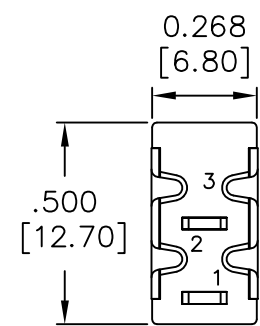
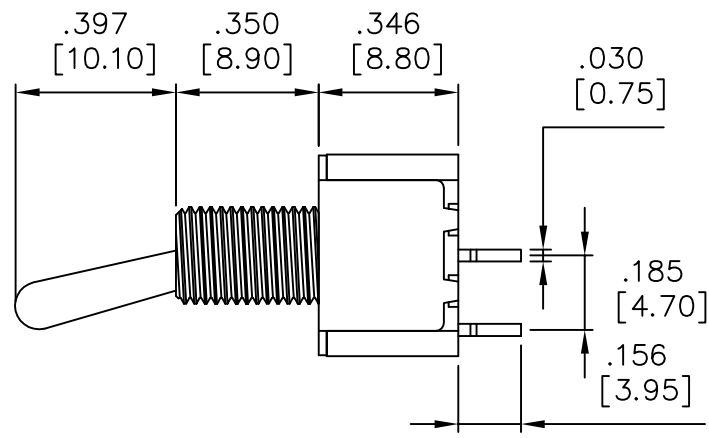
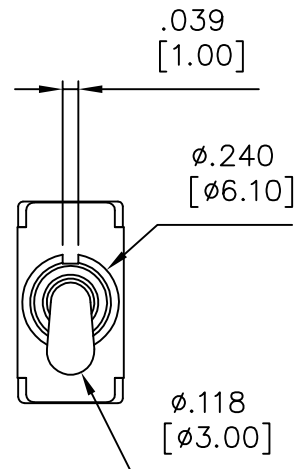
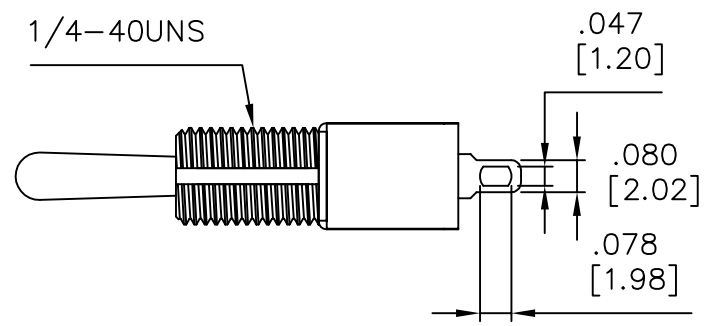


35-006

RoHS: CERTIFIED



T1 ACTUATOR CAP



SPST

MODEL NO.	SWITCH POSITION		
2P-1	ON	NONE	OFF
Term. Comm	2-1	OPEN	2-3

HTS: 8536.50.9065

CoO: Taiwan

UPC: 010151540447

- SPECIFICATIONS:
- MOVABLE CONTACT: Copper alloy, silver plated
 - TERMINALS: Copper alloy, silver plated
 - RATING: 5Amps with resistive load @ 120VAC or 28VDC
2Amps with resistive load @ 250VAC
 - CONTACT RESISTANCE: 10m-ohms max. initial
 - INSULATION RESISTANCE: 1,000M-ohms min.
 - DIELECTRIC STRENGTH: 1,000V RMS @ sea level
 - ELECTRICAL LIFE: 50,000 make and break cycles at full load
 - OPERATING TEMPERATURE: -30°C to +85°C
 - RoHs compliance

35-006			
UNLESS OTHERWISE SPECIFIED DIMENSIONS ARE IN MILLIMETERS ANGULAR TOLERANCE: ±1.0°		USED 用途 100	APPD. 審核 Amy 2009/09/29
DIMENSIONS		FINISH 處理	CHKD. 校對 Amy 2009/09/29
0.00 TO 10.00mm	±0.20mm	SCALE 比例 2 / 1	DR. 製圖 Amy 2009/09/29
10.01 TO 20.00mm	±0.25mm		
20.01 TO 30.00mm	±0.30mm		
30.01 TO 40.00mm	±0.40mm	UNIT. 單位 in(mm)	
MATERIAL		TITLE 名稱 TOGGLE SWITCH	
		35-006	SIZE 圖紙 A4
		SHEET 張 1 / 1	REV. 更改 1