

# Key Lock Switch, On Off On, **SP3T**, 45 deg, Flat Key

**P/N: 35-3197**

RoHS: CERTIFIED

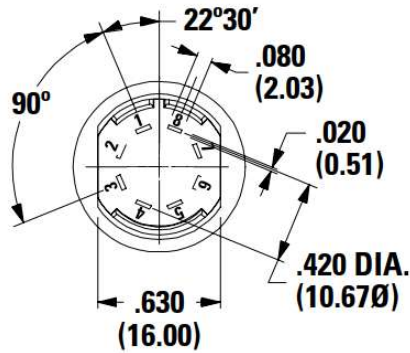
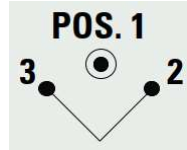
4 Tumbler lock with detent

4 amps @ 125 Vac or 28 Vdc

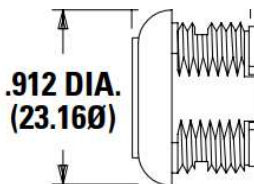
2 amps @ 250 Vac

POS.1 TERM 8-1  
 POS.2 TERM 1-2  
 POS.3 TERM 7-8

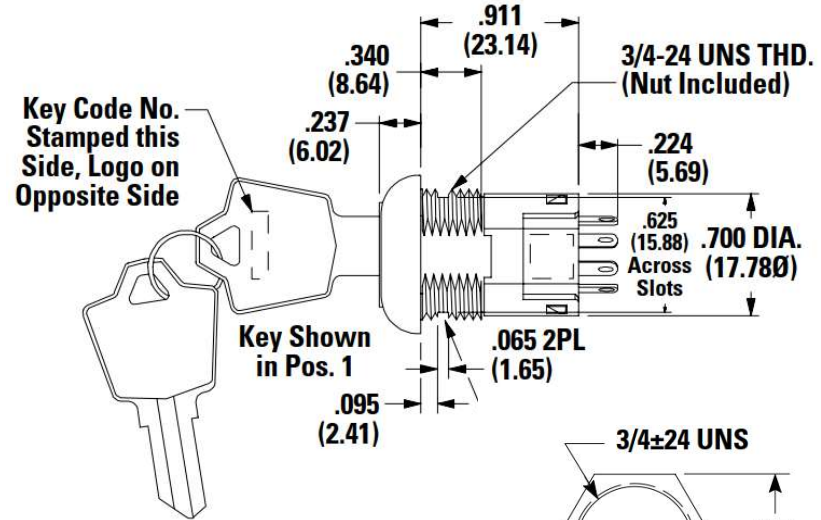
Key Pull = Pos. 1



Stainless Steel



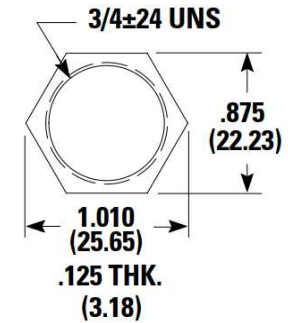
ALL KEYED ALIKE



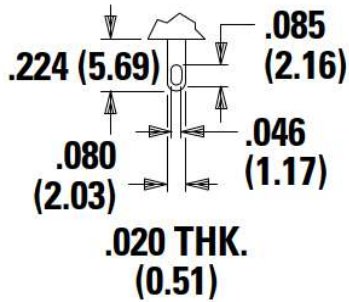
Key Code No. Stamped this Side, Logo on Opposite Side

Key Shown in Pos. 1

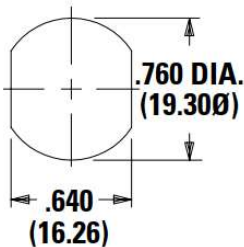
Two nickel plated brass keys, with code



Solder lug with hole, No Seal



Panel Mounting



Panel Thickness: (0.085 - 0.105)"

Electrical Life: 10,000 make-and-break cycles at full load.

Silver Contacts

Dielectric Strength: 1,000 Vrms min.

Insulation Resistance: 10x9 Ω min.

Operating Temperature (-30 to 85)°C

UPC: 010151548290

HTS USA: 8536509065

CoO: China