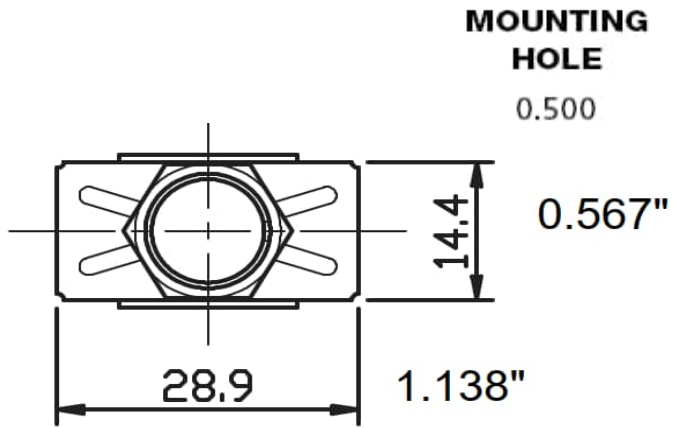




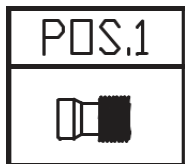
Push Button Switch Off (On) SPST 15A Metal

P/N : 35-3427

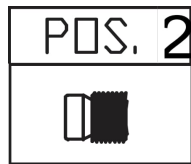
CoO: Taiwan
UPC: 010151546593
HTS: 8536.50.9065



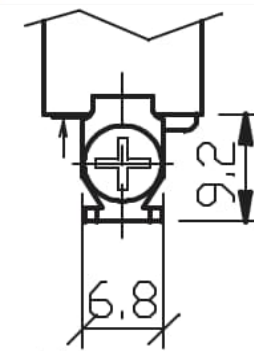
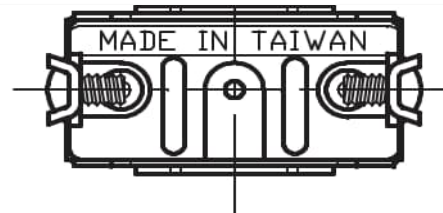
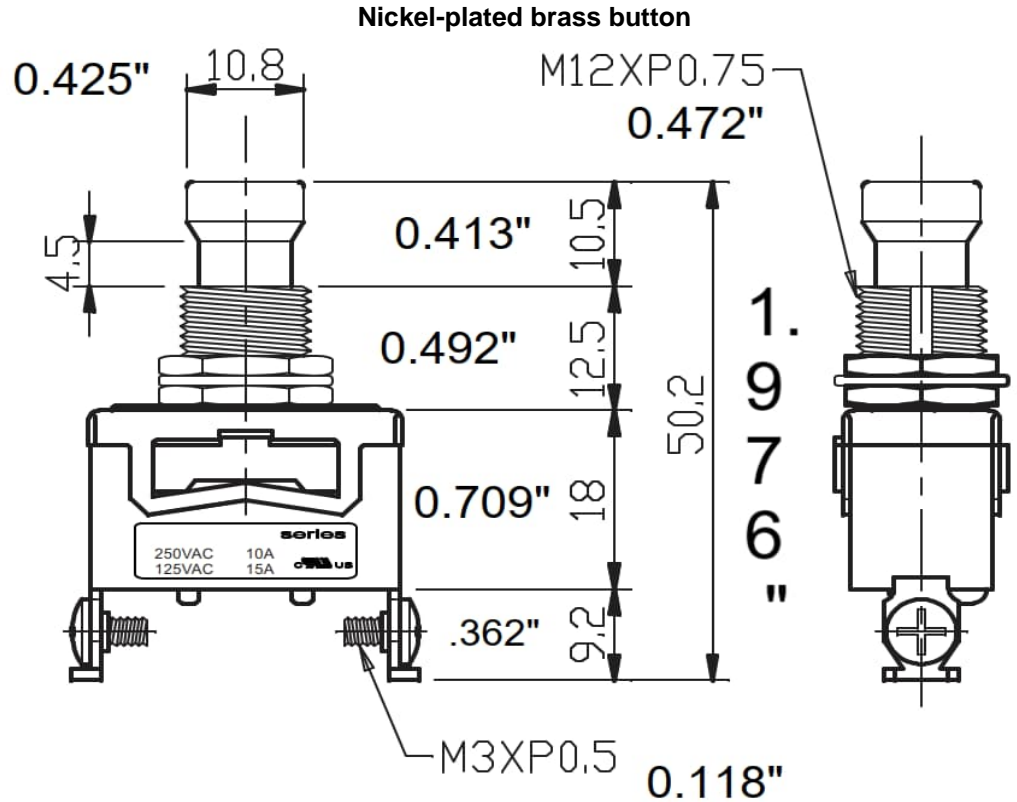
15A@ 125Vac
10A@ 250Vac
Withstand Voltage: 1,500Vac or more
Contact Resistance: (2-4)Vdc 1A 20MΩ or less
Insulation Resistance: 500Vdc 200MΩ or more



Off



(On)



NOTE: TOLERANCES UNLESS OTHERWISE SPECIFIED : ± .012 (mm).
0.3