

AUTO/MARINE ROCKER Switch

SPST

On-None-Off

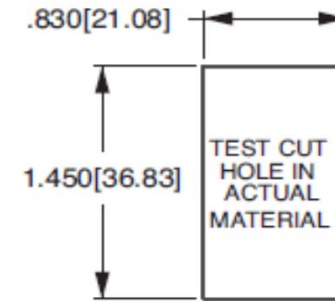
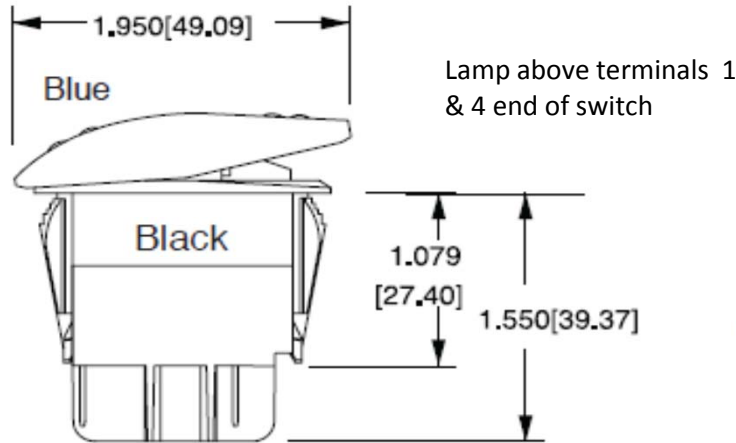
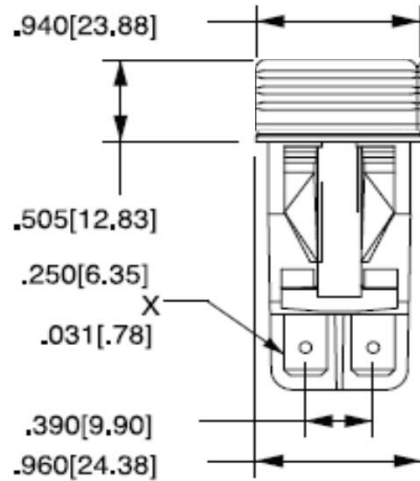


35-3515

BLUE
RoHS CERTIFIED

20A 12V

One Seal



8 TERMINAL BASE W/BARRIERS

Sealed

SWITCH MOUNTING HOLE

Acceptable Panel Thickness

.030 to .109 & .147 to .157

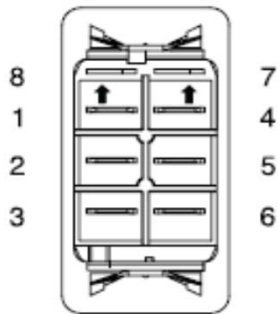
No legend



Black



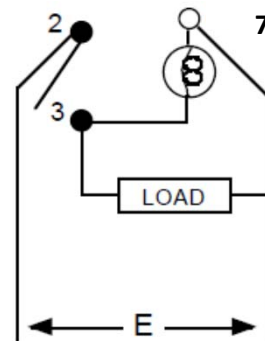
Hard Surface



**BOTTOM VIEW
TERMINAL
ARRANGEMENT**

.250 TAB (QC) with barriers

Lamp Terminals 3 & 7



Incandescent

Actuator Lens Down Lit

V1DAB60C-CTC00