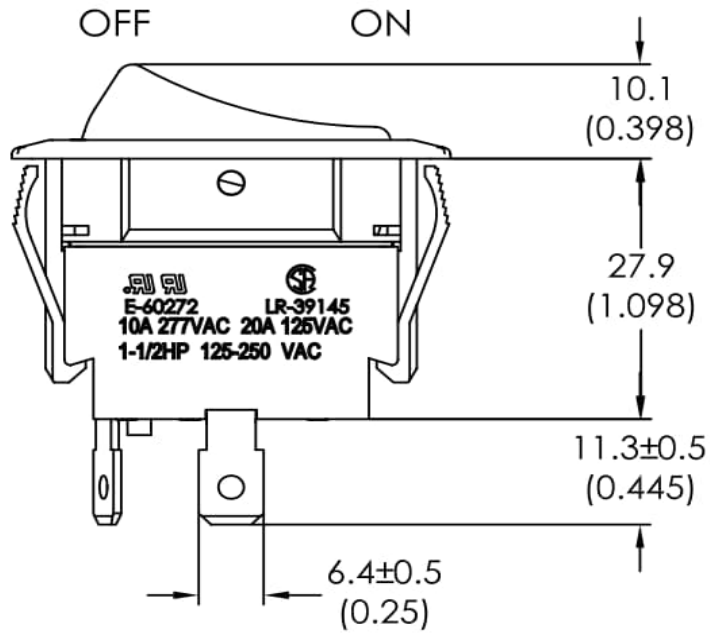


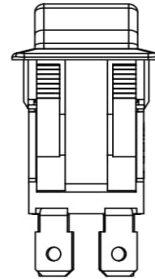
# Switch Rocker On Off DPST Quick Connect 20A 125V

**P/N : 35-3630**



10A 277V  
1-1/2 H.P. (125 - 250)Vac

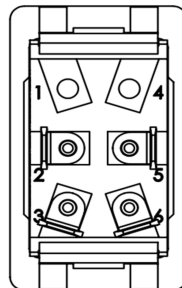
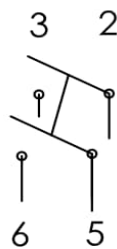
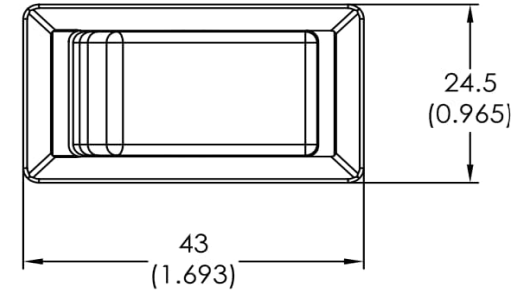
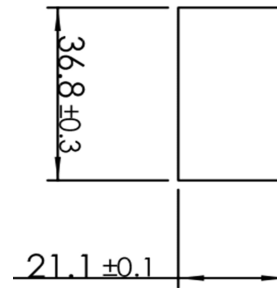
RoHS: CERTIFIED



UL 94 flame class 94V-2



**Black**



Operation Temperature: -20°C~85°C

Contact Resistance : 50m ohm max.  
Dielectric Strength: 1500Vac 1 minute  
Insulation Resistance : 500Vdc 100M ohm min.

UPC: 010151546807  
HTS : 8536509065



Spring 2026