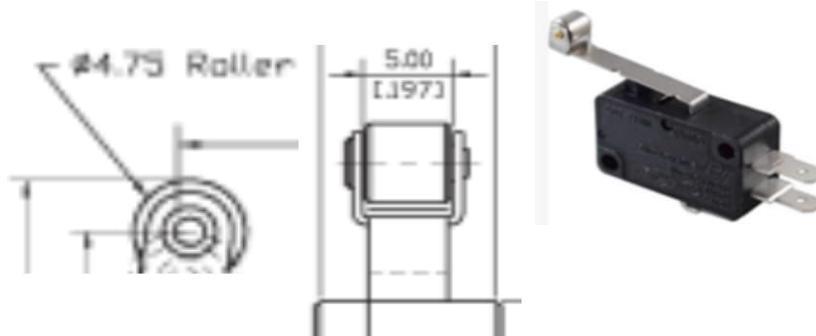
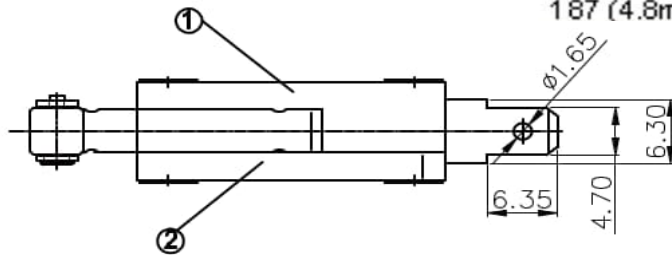
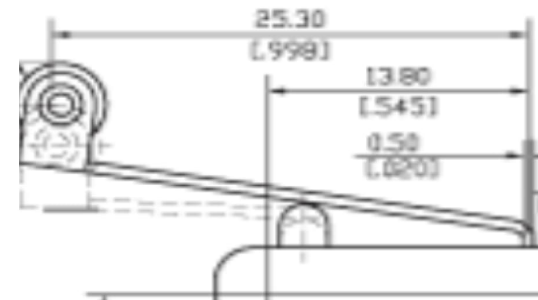
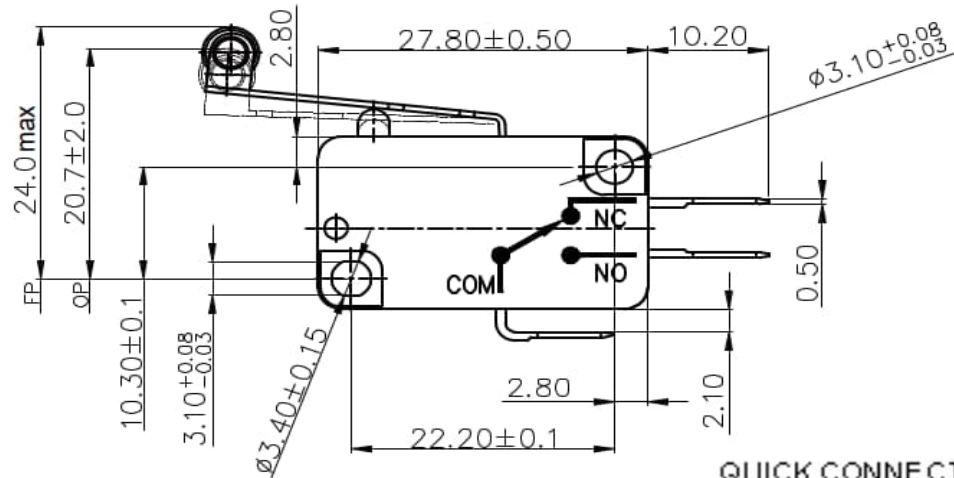


Switch Snap-Action Roller Lever SPDT 16A

P/N : 35-848

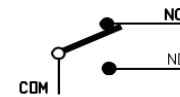
RoHS: CERTIFIED



16A @ 125/250V
1/2 H.P. 125V
3/4 H.P. 250V

UPC: 010151544766
 HTS : 8536509065

Contacts: Ag ALLOY/Cu



Operating Force	170±40gf
Release Force	30gf min
Pretravel	2.7mm max
Overtravel	6.1mm min
Movement Differential	3.6mm max
Operating Posttion	20.7±2.0mm

