

1

2

3

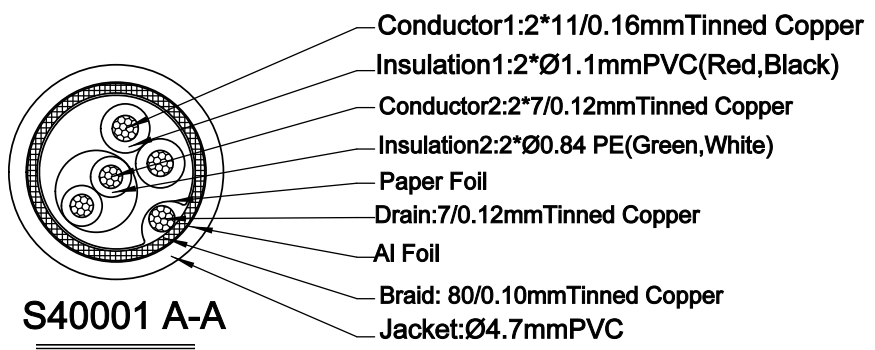
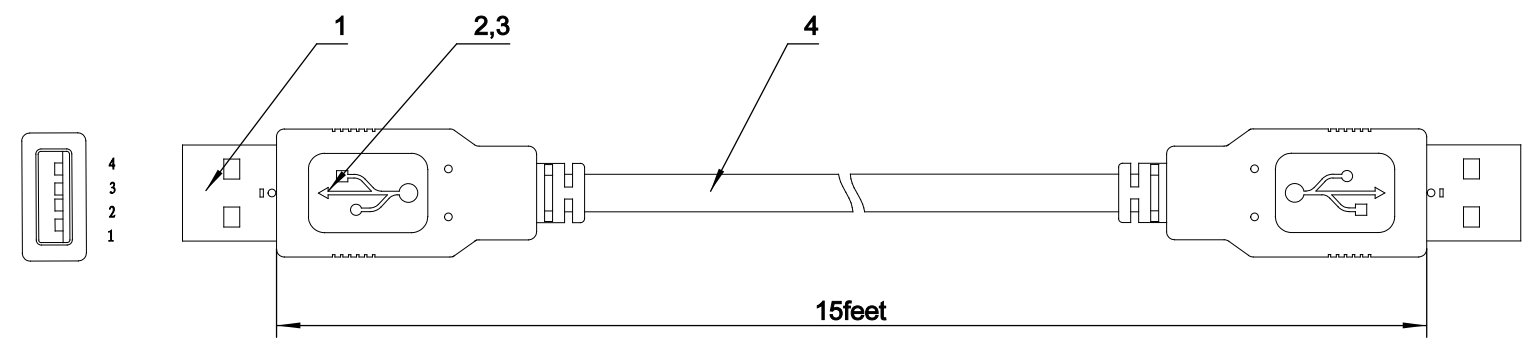
4

5

6

ECN MARK	ECN NO.	DESCRIPTION	date

45-1400-15



S40001 A-A
Cable spec.

Wire Layout			
USB A PLUG		USB A PLUG	
1	red	1	
2	white	2	
3	green	3	
4	black	4	
SHELL	drain+shield wire	SHELL	

4		USB HIGH SPEED CABLE	15feet	Gray PVC
3		USB A PLUG OUTER MOLDED	2 PCS	Gray PVC
2		USB A PLUG INNER MOLDED	2PCS	PE
1		USB A PLUG	2 SET	Nickel-plated
ITEM.	DWG NO.	DESCRIPTIONS & SPECIFICATIONS	QTY.	REMARK
DES.	LiaoWS 2016-9-20	MTL.		MDL.
CHK.		TRL.		PDT. TIT. USB A (P) TO USB A(P) 2.0 CABLE
APPR.		QTY.	VER. A-1	SCL.
Unit: MM		Page 1	Pages 1	Drw. NO.

4

5

6