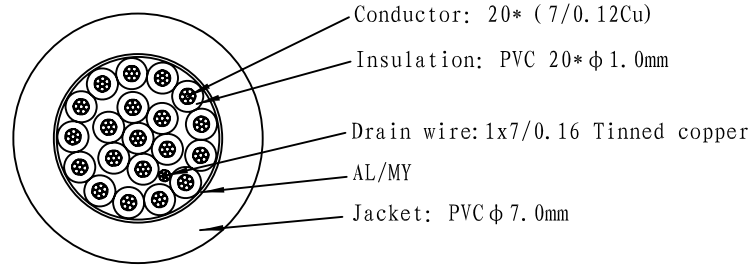
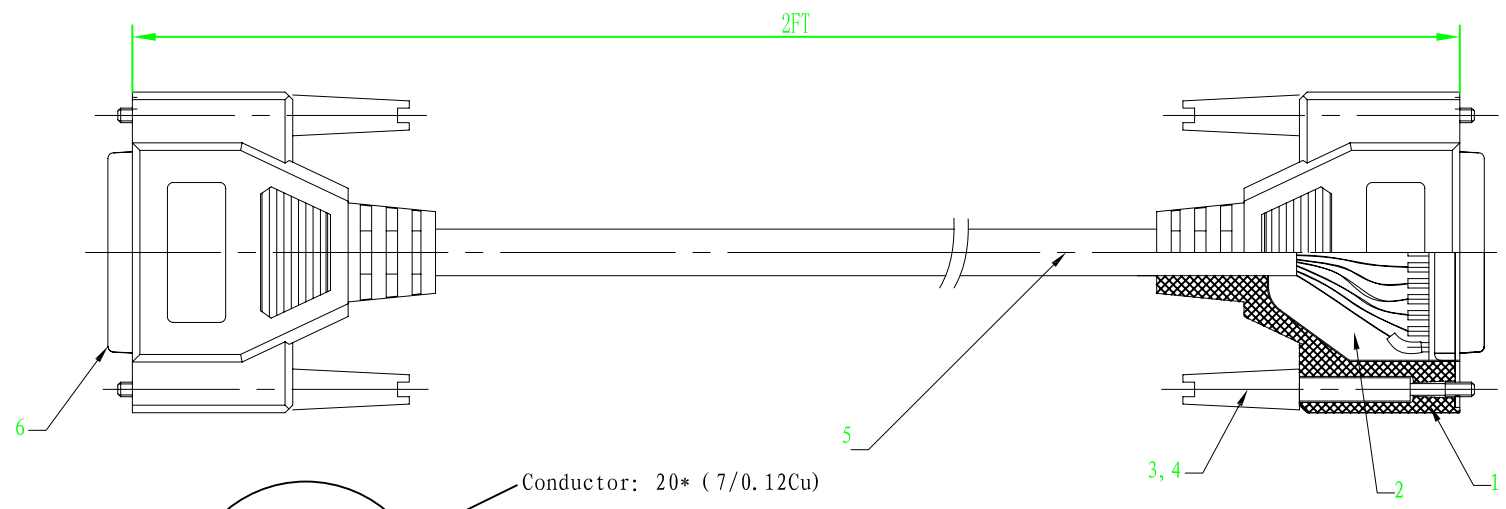


ECN MARK	ECN NO.	ECN CONTENT	DATE

P/N: 45-1502

RoHS: CERTIFIED



UPC: 010151393692
 HTS: 8536698000
 CoO: China

WIRE LAYOUT

DB 25M	DB 25M
2	15
3	13
4	12
5	10
8	11
10	5
11	8
12	4
13	3
15	2
18	18
19	19
20	20
21	21
22	22
23	23
24	24
25	25

6		DB 25PIN PLUG NICKEL-PLATED	2 PCS		
5		20+1 Cable			
4		SCREW MOLDING	4 PCS		
3		SCREWS 4-40 UNC	4 PCS		
2		25PIN OUTER MOLDING	2 PCS		
1		25PIN INNER MOLDING	2 PCS		

Item	Dwg no	Descriptions	Quantity	Material	Remark
DES.		MTL.		MDL.	45-1502
CHK.		TRT.		PDT.	DB 25PIN PLUG TO
APPR.		QTY.	WGT.	VER.	TIT.
				SCL.	DB 25PIN PLUG CABLE
				A-1	Title
Unit: MM		PAGE 1	PAGES 1	Drw. No.	