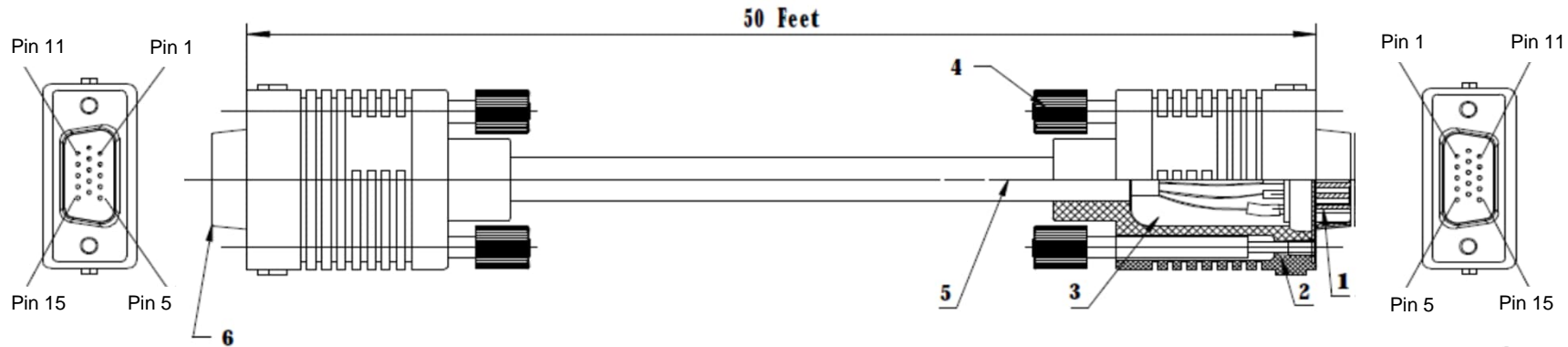


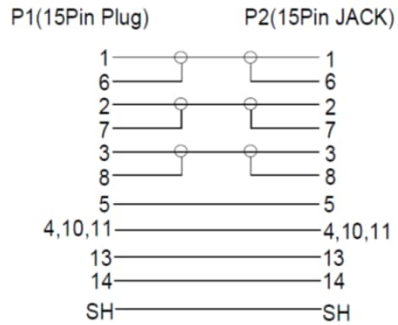
**45-1860**

**HD-15  
Male**

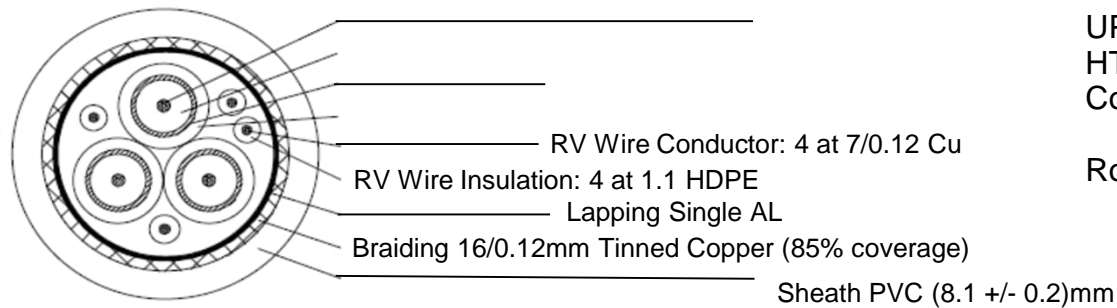
**HD-15  
Female**



**Wire Layout**



<b>6</b>	<b>HD DB15PIN(M) CON</b>	<b>1</b>	<b>Shell:Ni plated, Pin:Gold plated</b>
<b>5</b>	<b>34 Core cable</b>	<b>1524mm</b>	<b>UL2019 approval</b>
<b>4</b>	<b>Screw</b>	<b>4</b>	<b>Ni plated and black</b>
<b>3</b>	<b>HD DB15PIN(P) inner mold</b>	<b>2</b>	<b>PE</b>
<b>2</b>	<b>HD DB15PIN(P) mold</b>	<b>2</b>	<b>Black PVC</b>
<b>1</b>	<b>HD DB15PIN(F) CON</b>	<b>1</b>	<b>Shell:Ni plated, Pin:Gold plated</b>
<b>Item</b>	<b>Specifications</b>	<b>Qty</b>	<b>Remark</b>



UPC: 010151395900  
HTS: 8536698000  
CoO: China

RoHS: CERTIFIED