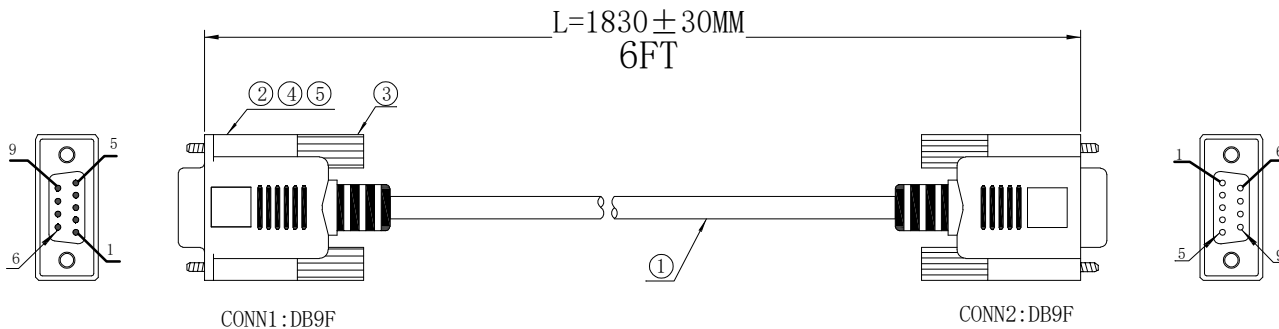


The materials shown in the figure are consistent **RoHS2.0 2015/863**Revision instruction



Wiring Chart:

CONN1	CONN2	
6+1	4	Black
2	3	Brown
3	2	Red
4	1+6	Orange
5	5	Yellow
7	8	Green
8	7	Blue
9	9	Violet

Computer detection 100%

NO.	PART NO.	DESCRIPTION	Q' TY	UNIT
①	CABLE	Single-Core Wire, 9C=DA, Ø5.0, Beige, 28AWG (7/0.12TC + Ø0.85PVC) * 9C + D (7/0.12TC) + AL	1	PCS
②	CONNECTOR	DB9 Connector, DB9 Female, Blue Housing, Nickel-Plated Shell, Full Tin-Plated Pins, Fork Type Terminal, 24H Salt Spray Test, ROHS Compliant	2	PCS
③	Molded Screw	2.3 * 36 (OAL 40.5), Beige, ABS Material Molded, Exposed Length 25.7mm, Special for Apple Mold, ROHS Compliant	4	PCS
④	INNER MOLDING	PE WHITE Inside mould ROHS 2.0	8	G
⑤	OUT MOLDING	45P-PVC Beige ROHS 2.0	24	G
⑥	CATON	460*300*300MM		

45-389									
CUSTOMER	DATE	26/01/07	UNIT	mm	SCALE	REV	A/O	PAGE	1/1
ITEM NO	PART NO		DB9F/DB9F						
DRAWN BY	CHECKED BY		APPROVE BY						