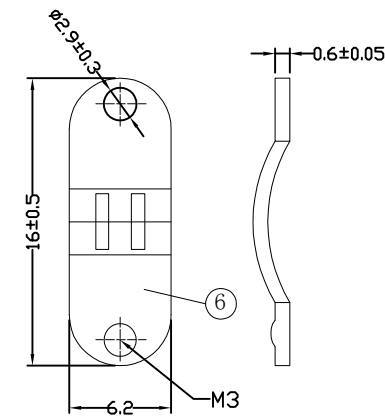


Notices:

- 1、RoHS compliant
- 2、Color:Grey
- 3、The inspection is based on the assembly of DB9/HDB15 products being OK
- 4、The unmarked tolerance is  $\pm 0.5$
- 5、The OD size of the outlet hole is 5.5/6.5/8.0 mm

Item	Description	Bom qty	Material
①	Upper and lower shells	1 SET	ABS
②	Half tooth screw	2 PCS	Ni-plated Fe
③	M3 Screw	2 PCS	Ni-plated Fe
④	M3 Fixed hex nut	2 PCS	Ni-plated Fe
⑤	M3 Screw	2 PCS	Ni-plated Fe
⑥	Clip	2 PCS	Ni-plated Fe
⑦	Screw gasket	2 PCS	Ni-plated Fe



1	Wire	6CX26AWG(7/0.16)Telephone cable, Jacket:PVC,2.4X6.8mm	
NO.	PART NUMBER	DESCRIPTION	QTY
<b>45-5006</b>			
PART NUMBER		45-5006	DWG NO.
DESCRIPTION		DB9 Shell	
CUS.	GC	TOLERANCE: LINEAR: X =±1 X =±1" X =±0.2 X =±0.30" .XX =±0.05 FILLET: R2=RAD.2mm R5=RAD.5mm XR=MAX RAD CHAMFER: C0.5=CHAM0.5mm C1 =CHAM1mm	DRAWN
UNIT	MM		LinRB
SCALE	NTS	CHECKED	David.Du
SHEET	1/1	APPROVAL	Kenny