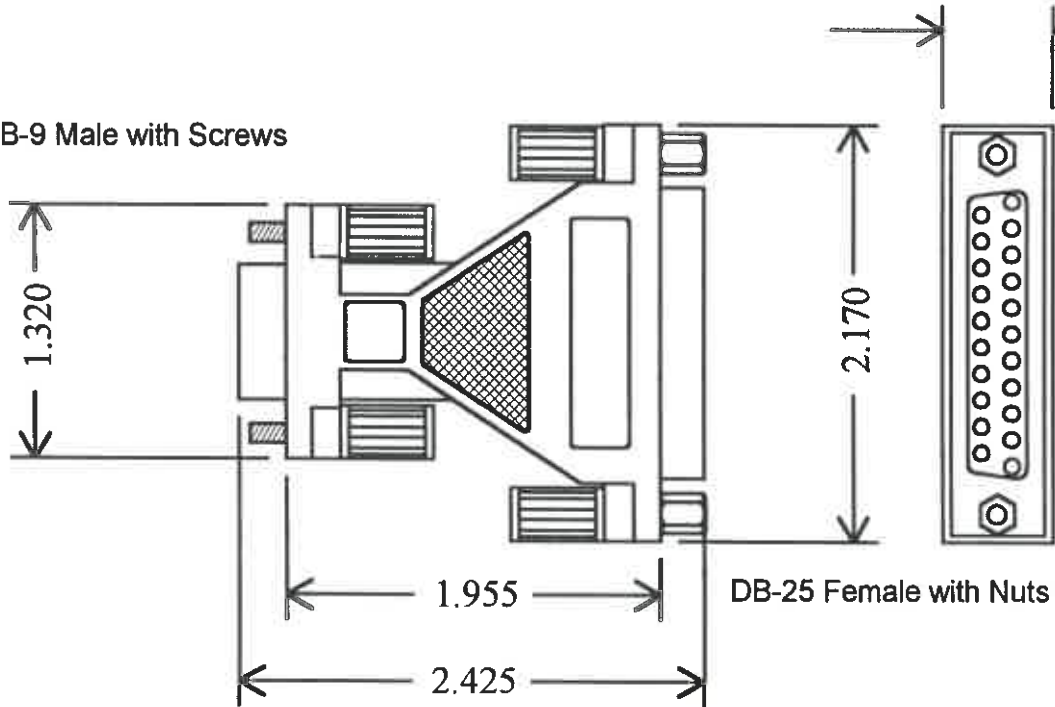


DB-9 Male with Screws



DRAWINGS ARE THE PROPERTY OF GC ELECTRONICS FOR YOUR INSPECTION & APPROVAL OF GC PRODUCTS, NOT TO BE SHARED WITH ANYONE ELSE WITHOUT PRIOR WRITTEN PERMISSION FROM GC ELECTRONICS.

Pin Connections

DB-9 M	DB-25 F
1	8
2	3
3	2
4	20
5	7
6	6
7	4
8	5
9	22

Specifications

- Drain Wire from Shell to Shell
- Injection Molded Outer Shell
- Fully Encapsulated
- Gold Plated Connector Pins
- DB-25 Female with Nuts to DB-9 Male with Screws

FINISH:



NAME **DB-25F to DB-9M Serial Adaptor**

MATL

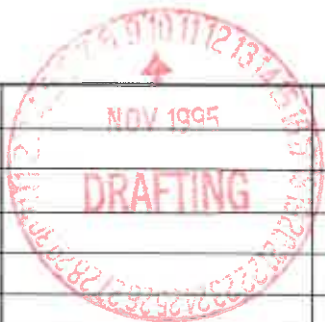
DRAWN *C.W. Stauber*

10-Nov-95

PART NO.

45- 512

CHECKED



CH	NO.	CHANGE	DATE