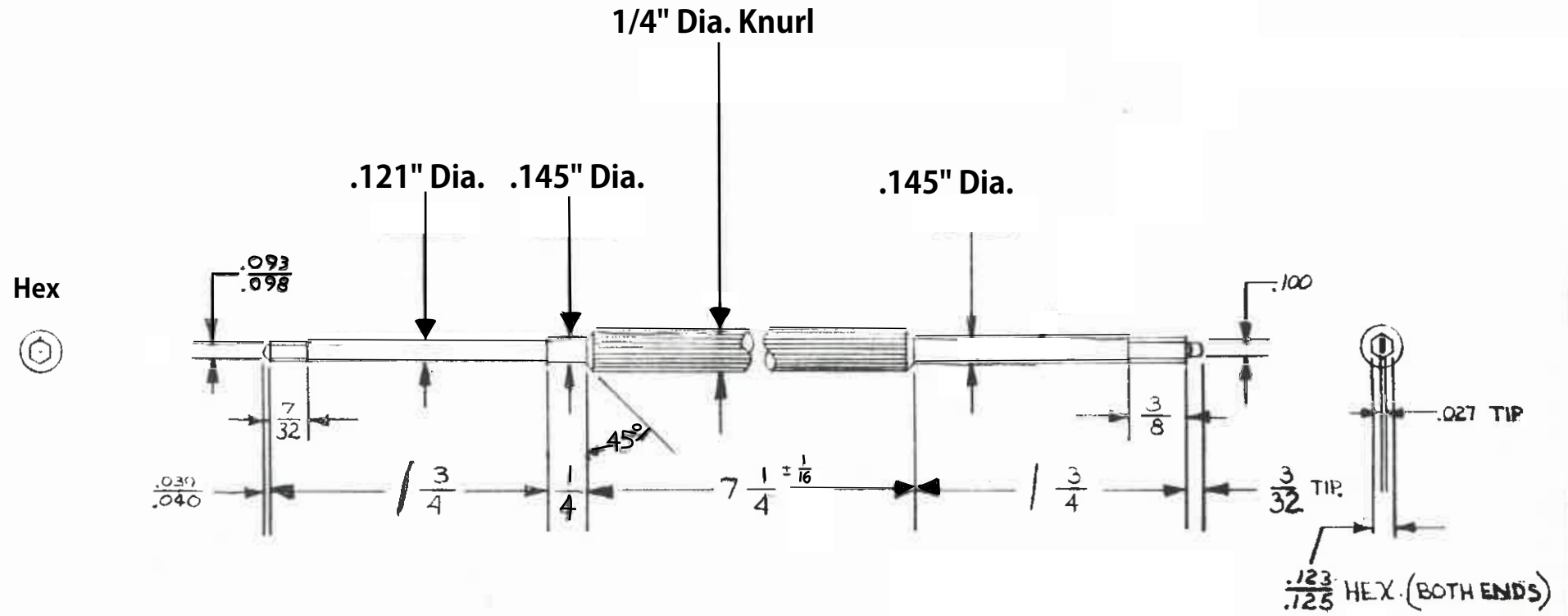


PART NO. 9091-L

Long Version



				G.C ELECTRONICS	
				NAME DELRIN HEX WRENCH	
				MAT'L 500 X GEN. PUR. NATURAL DELRIN	
CH	NO.	CHANGE	DATE	DRAWN	PART NO.
	2149	REDRAWN	7/19/72	OWENS	9091-L
DECIMAL			002	CHECKED	
			SCALE	F1	