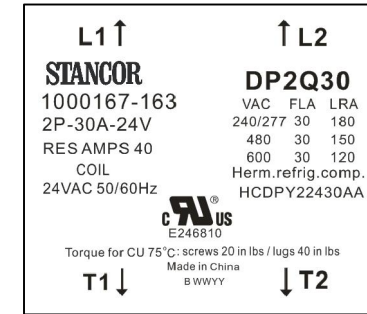
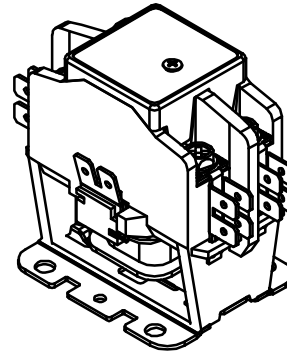
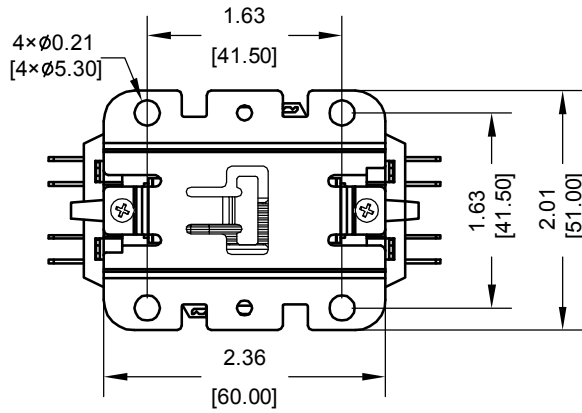
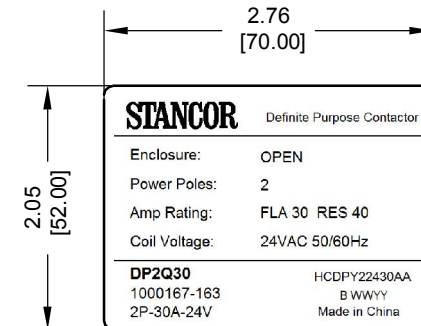
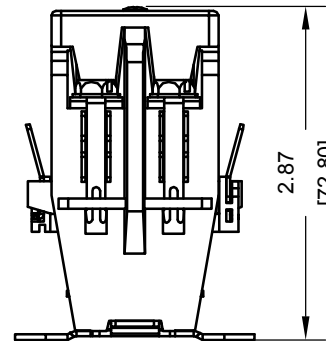
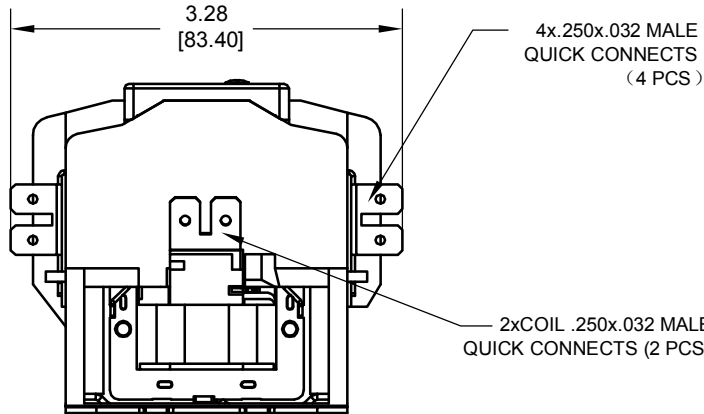


POLES	COIL VAC	FLA	RES	TERMINATION	COVER	INDIVIDUAL BOX	COIL DATA
2	24VAC 50/60Hz	30	40	#10-32 COMBINATION SCREWS 4 Quick Connect Power Termination	YES	YES	COIL 24VAC 50/60Hz 18 OHM 18 VAC OPERATE 3.8-16.3 VAC DROPOUT 32 VA INRUSH 5.6 VA SEAL MAX VOLTAGE 26.4 VAC

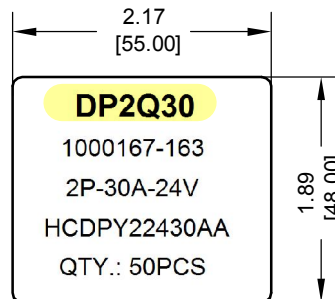
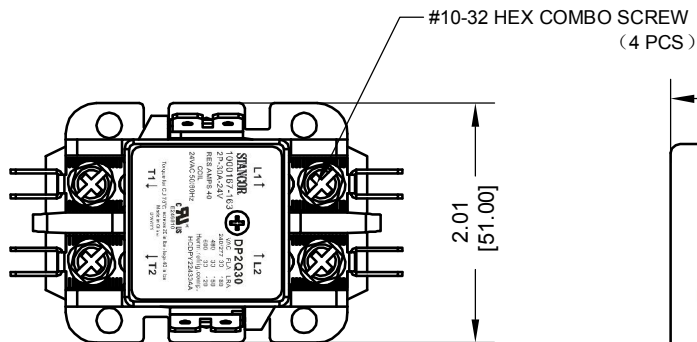
NOTES: UNLESS OTHERWISE SPECIFIED



Product Label

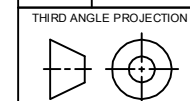


Individual Box Label



Master Carton Label

TOLERANCE	
INCHES [mm]	
X	±0.06 [1.50]
X.X	±0.02 [.50]
X.XX	±0.006 [.150]
X.XXX	±0.002 [.050]
ANGLES	±1°



REV.	DESCRIPTION	ECN	DWN	APVD	APVD DATE
STANCOR					
DRAWN BY	DRAWN DATE	CHECKED BY	CHECKED DATE		
DESC. 2P-30A-24V					PAGE 1 OF 1
PART NO. DP2Q30					